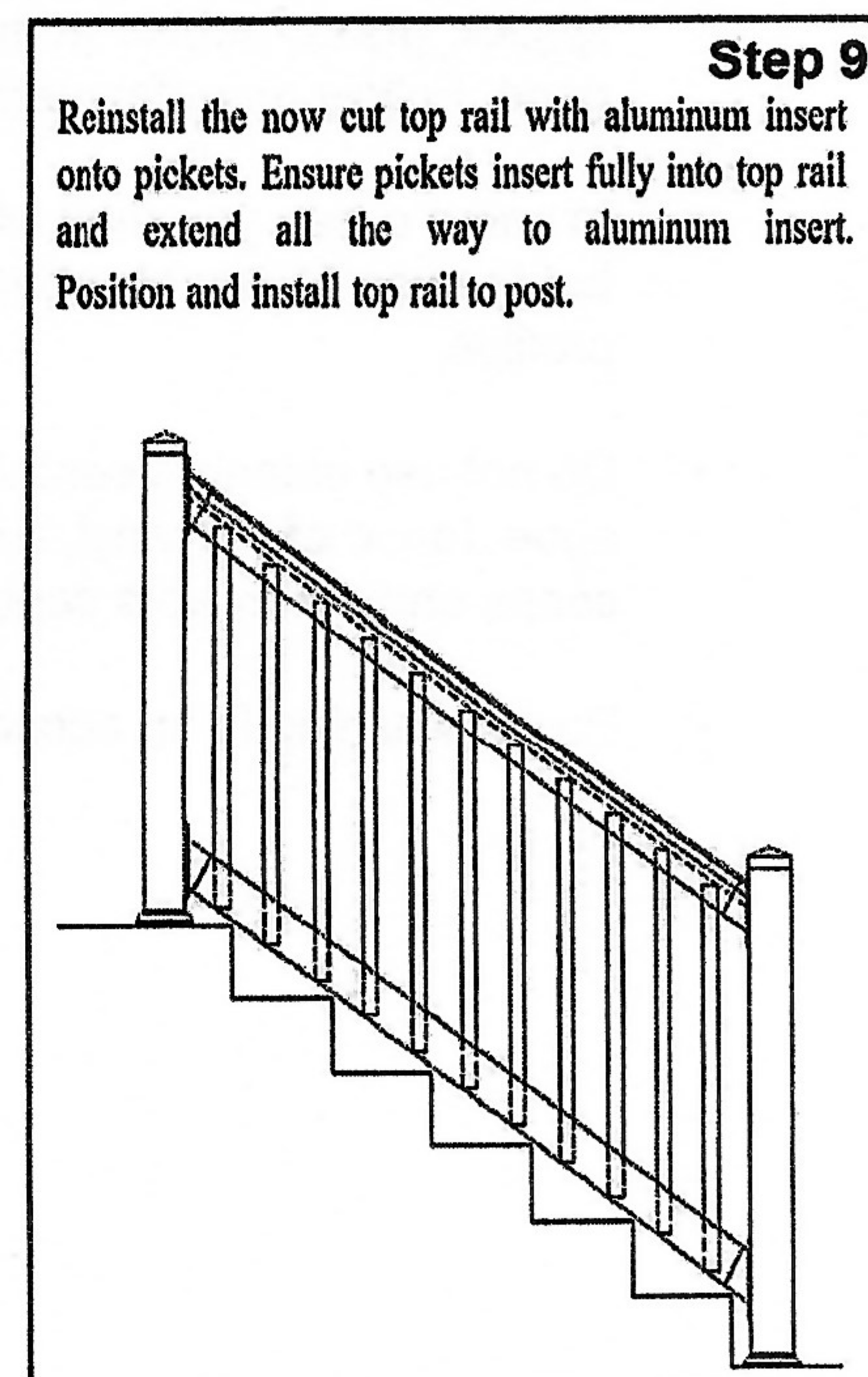
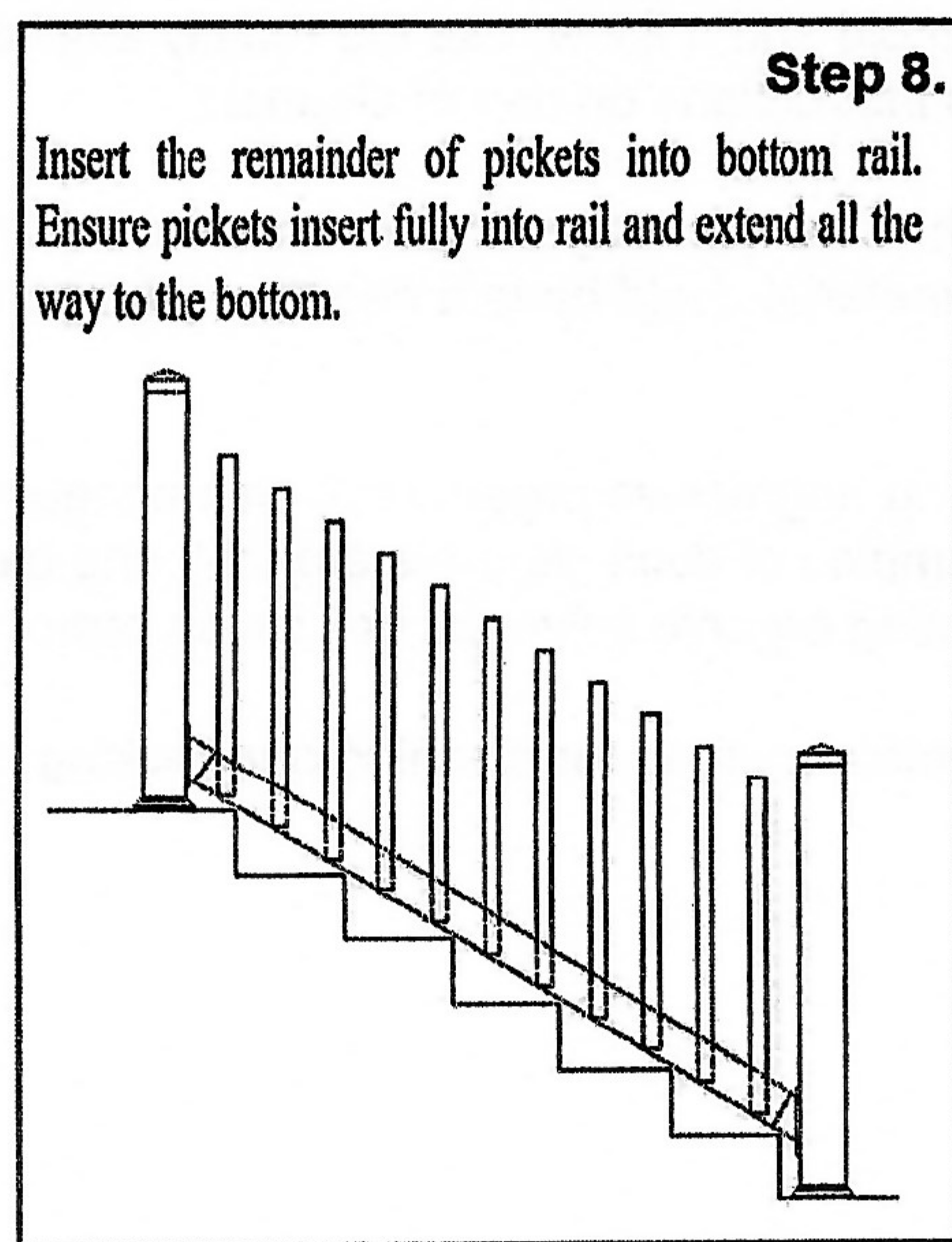
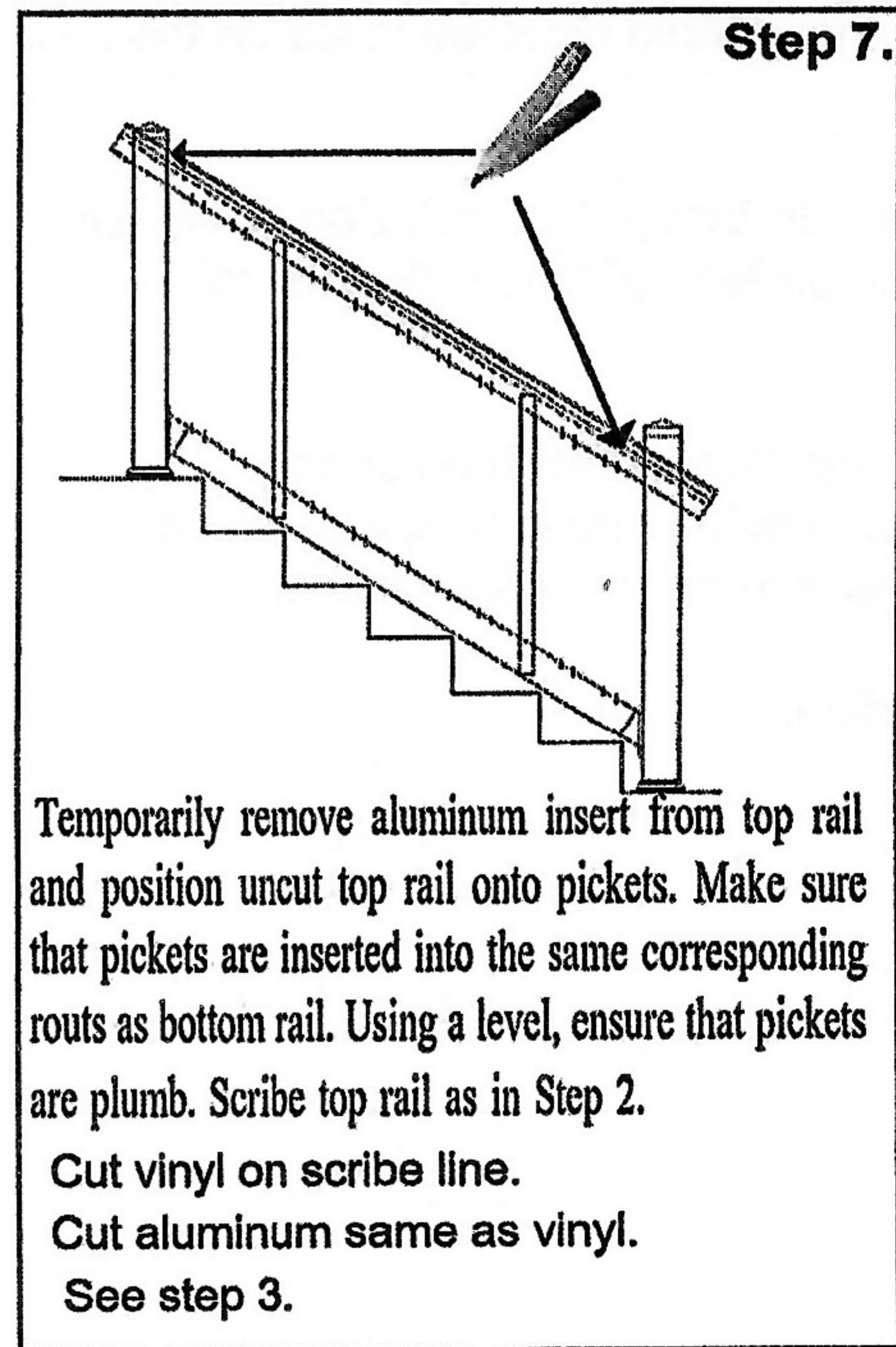
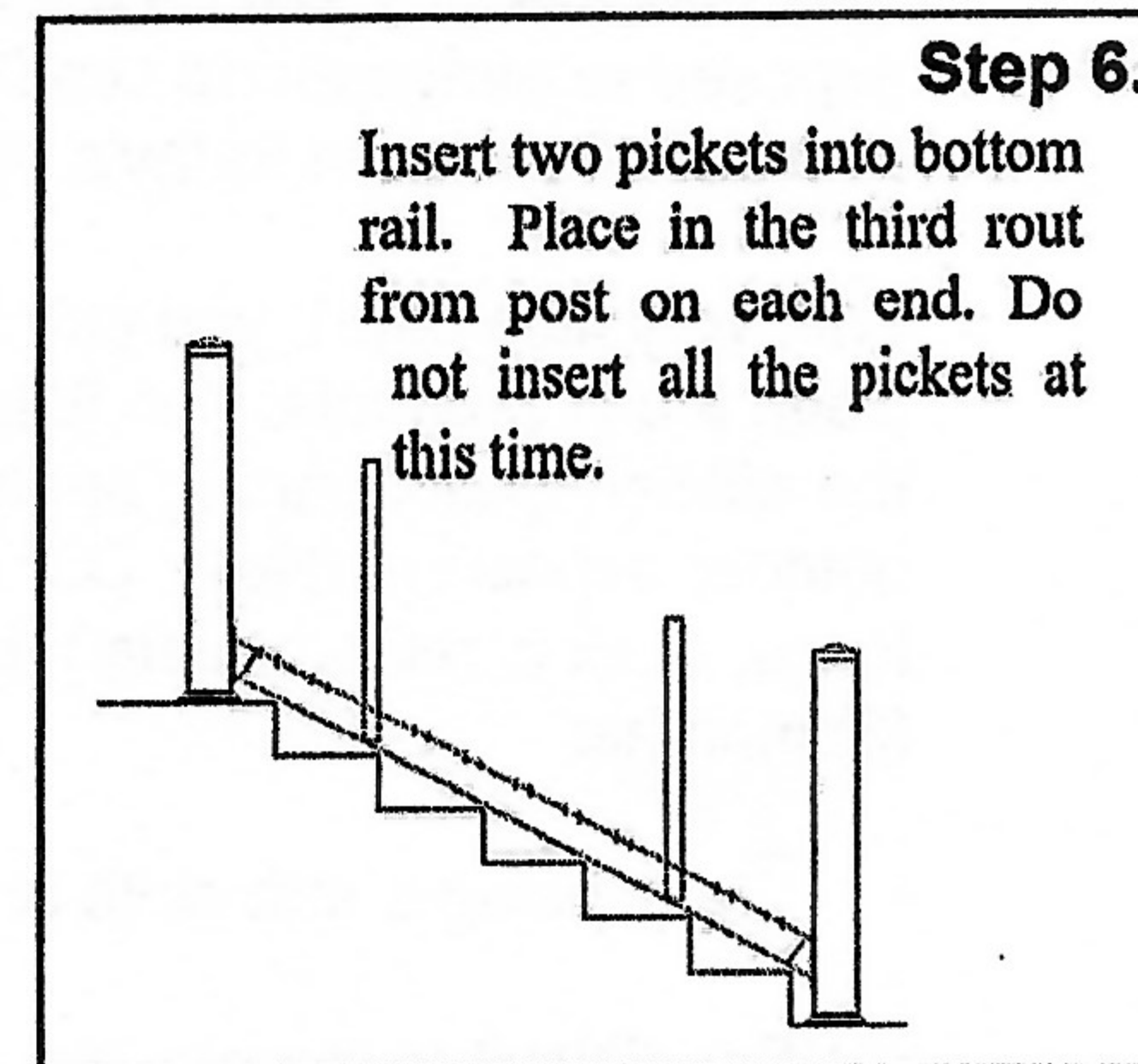
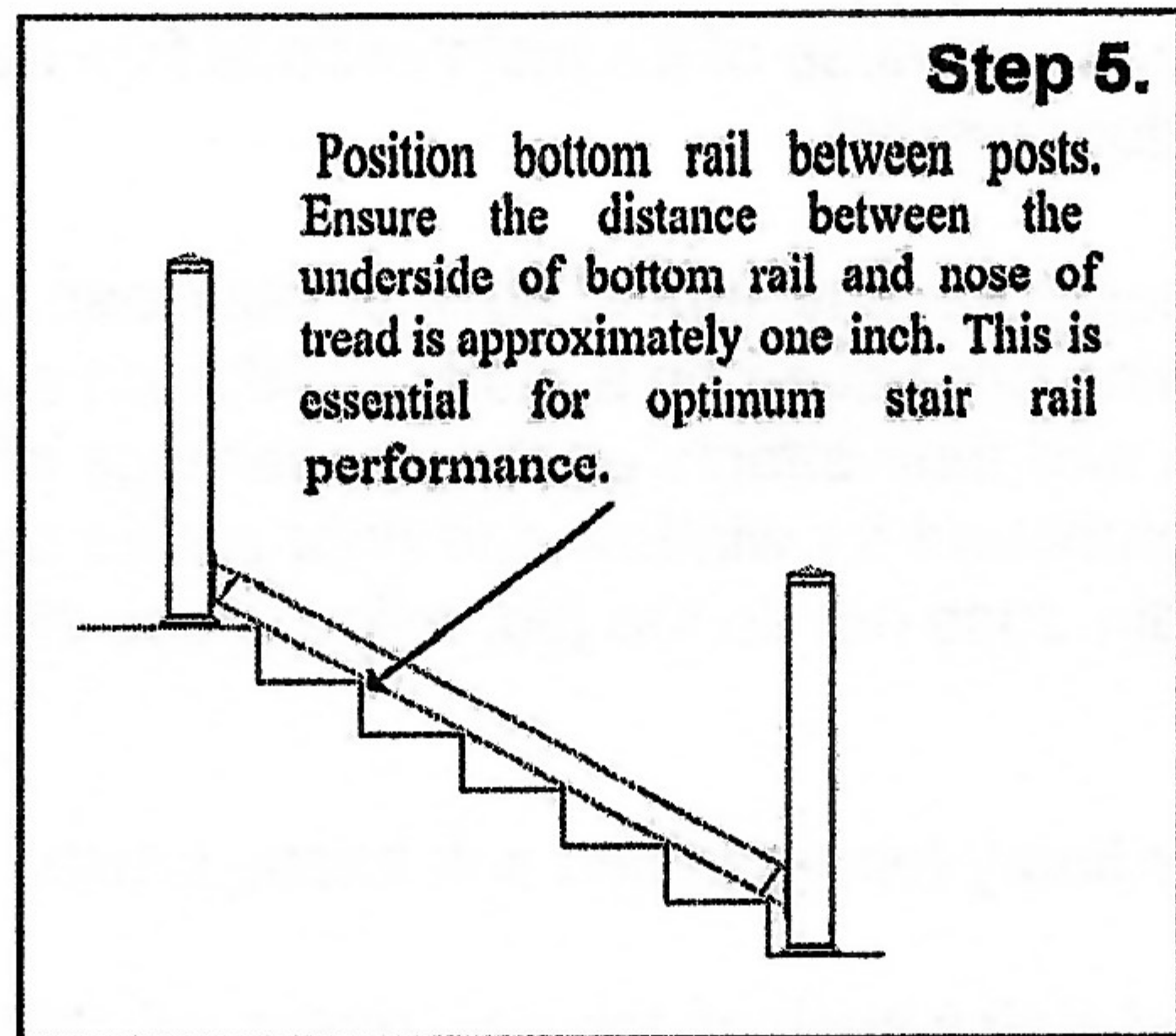
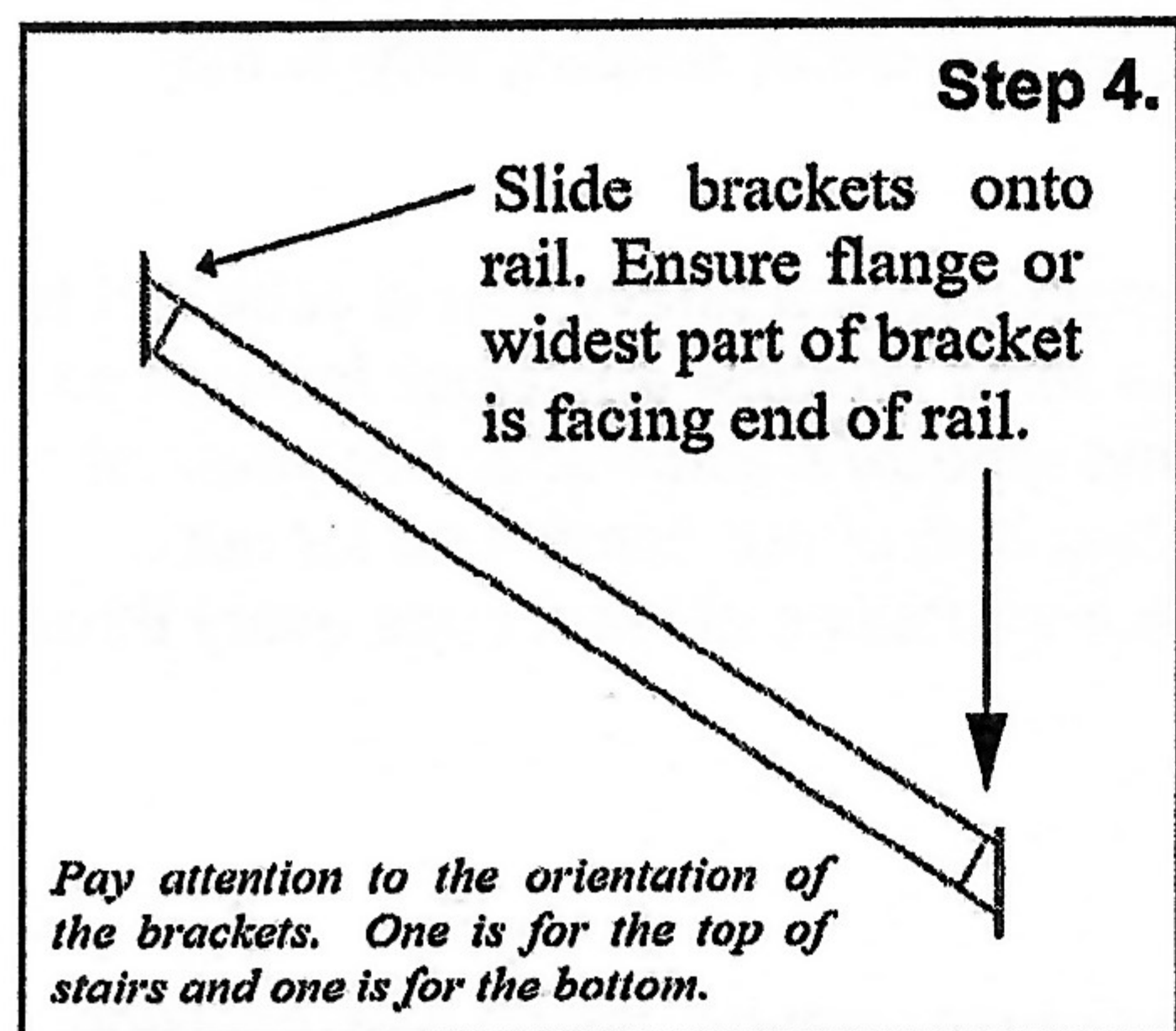
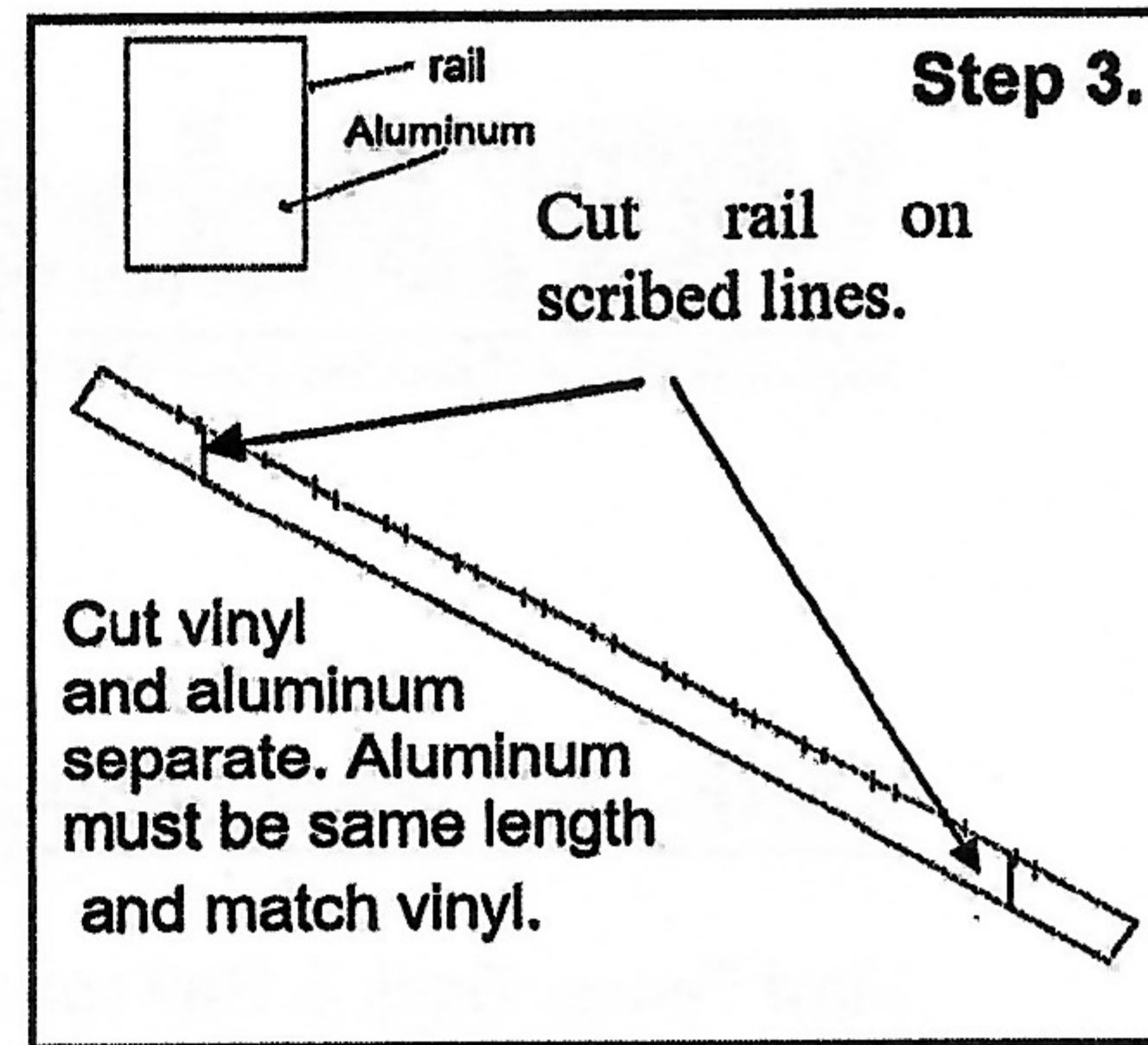
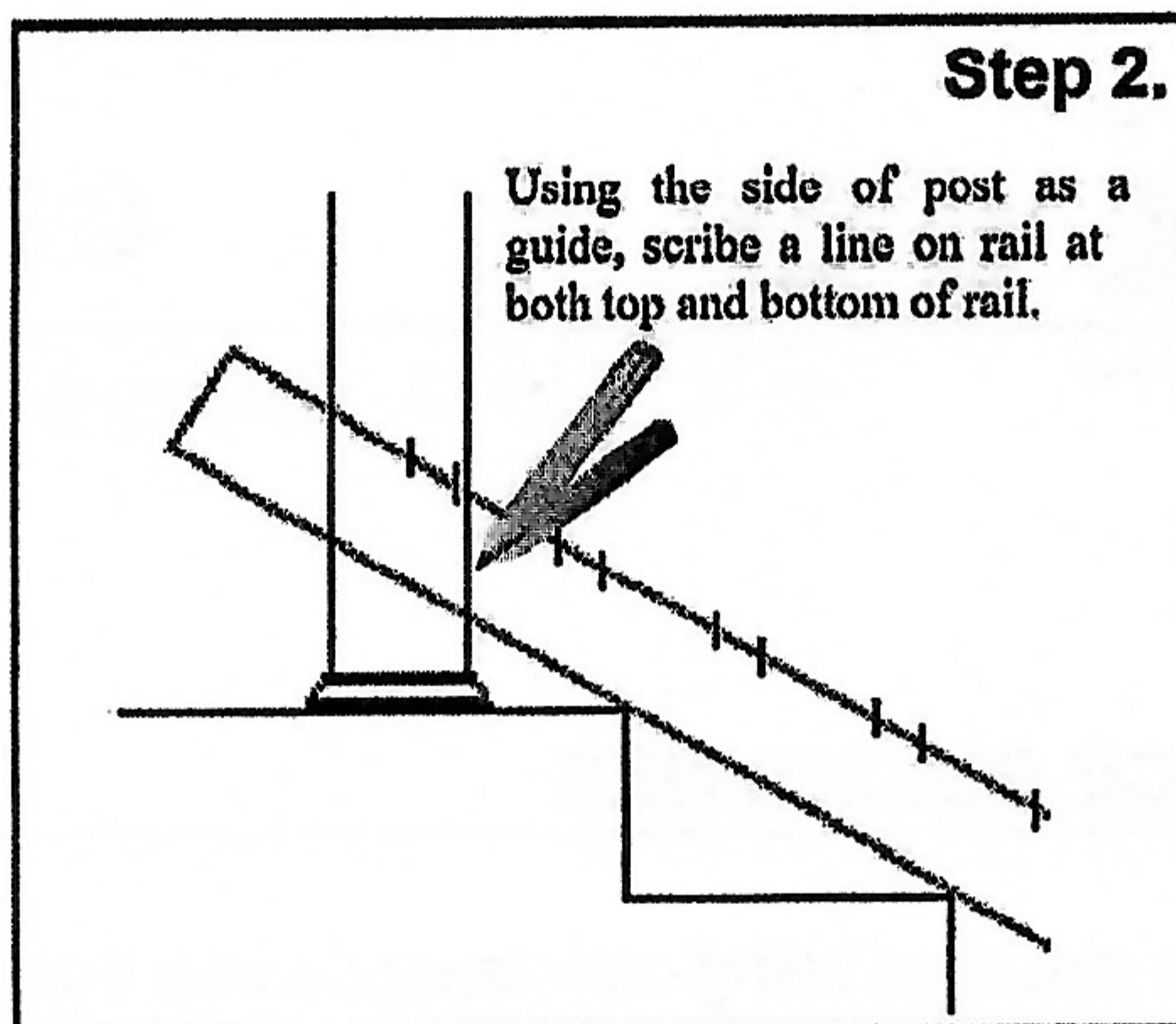
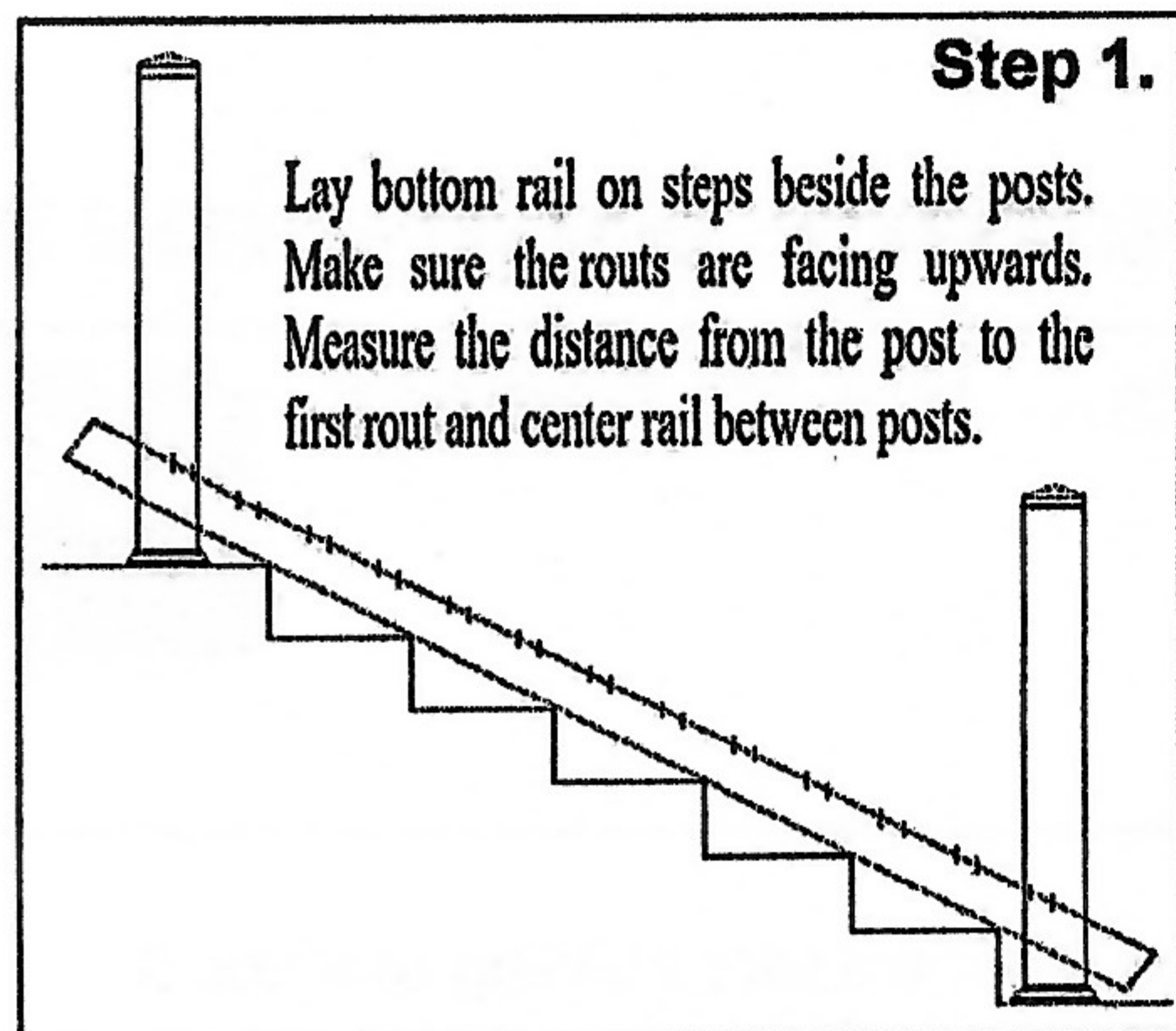


# Stair Rail Installation Instructions



*Majestic Railing*®

by Lakeshore Outdoor Living

See our other innovative products at [www.Lakeshoreoutdoorliving.com](http://www.Lakeshoreoutdoorliving.com)

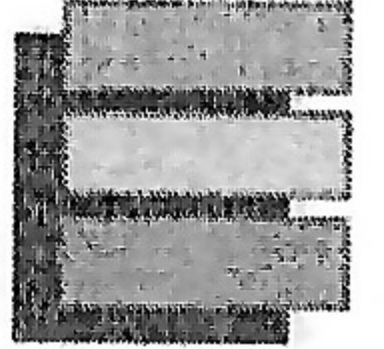




Reinforced Cellular PVC Deck Board from VEKA Innovations

## Cleaning Guidelines

It's Not A Composite... It's VEKAdeck



### CARE AND MAINTENANCE GUIDELINES

---

Vinyl Fence, Deck & Rail comes closer to being maintenance free than any other exterior building product. It may become dirty just as does a freshly painted house, a new automobile, or any other products that are exposed to atmospheric conditions. Because of its maintenance free benefits and clean surface, vinyl is the material of choice in today's outdoor market.

With very little effort, you can keep your vinyl fence, deck or rail clean. In most cases a heavy rain is sufficient to clean these products. The following are based on a study conducted by the *Vinyl Window and Door Institute* on the efficiency of cleaning agents and their effects on the appearance of vinyl window frames after two years of outdoor exposure. (Note: Our compound for window and door profile matches that of our compound for our fence, deck & rail products.) If rain does not do the job, follow these simple instructions at least once every three (3) months:

- Wash using a soft cloth or ordinary long-handled soft bristle brush.
- For difficult to remove dirt and stains such as top soil, motor oil, lithium grease, crayon, felt-tip pen, caulking, lipstick, grass, bubble gum, mold and mildew, use the readily available household cleaners listed on the next page. Follow manufacturer's instructions on use of cleaners.
- In some cases you may wish to use a mildly abrasive cleaner, such as Soft Scrub®, Ajax®, Bon Ami®, etc., but the use of any abrasive material could have a negative effect on the surface of fence, deck or rail profiles.
- Do not use cleaners containing aggressive organic solvents because they could affect the surface appearance of the vinyl. Examples of such cleaners are: chlorine bleach, liquid grease remover, strong soaps and detergents containing organic solvents, nail polish remover and furniture polish/cleaners.
- Power washing is an acceptable method for cleaning our decking product.